



# FASTFRAME™

SPECIFICATION SHEET



**FASTFRAME™ 1000x500 - 2 Pack**

Product code: **FF-100X50**  
 Assembled dimensions: **1000mm x 500mm x 40mm**  
 Graphic code: **G-FF-100x50PS/BB**



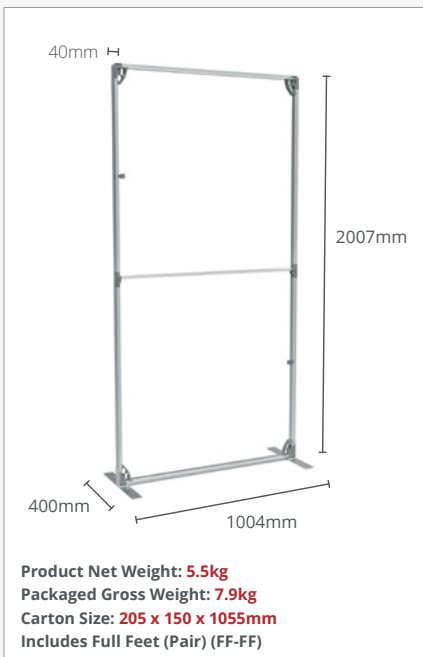
**FASTFRAME™ 1000x1000 - 2 Pack**

Product code: **FF-100X100**  
 Assembled dimensions: **1000mm x 1000mm x 40mm**  
 Graphic code: **G-FF-100X100-PS/BB**



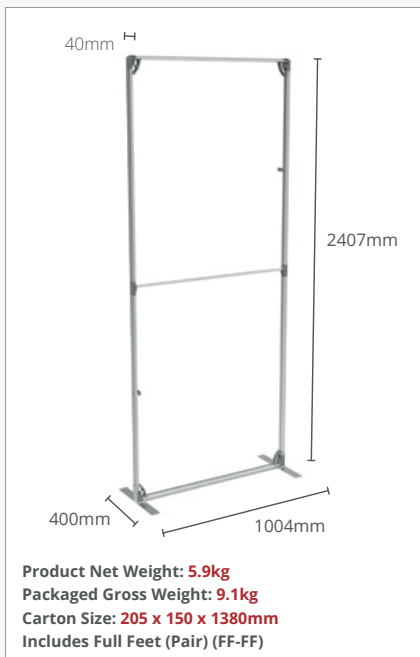
**FASTFRAME™ 1000x2000**

Product code: **FF-100X200**  
 Assembled dimensions: **1004mm x 2007mm x 400mm**  
 Graphics code: **G-FF-100X200-PS/BB**



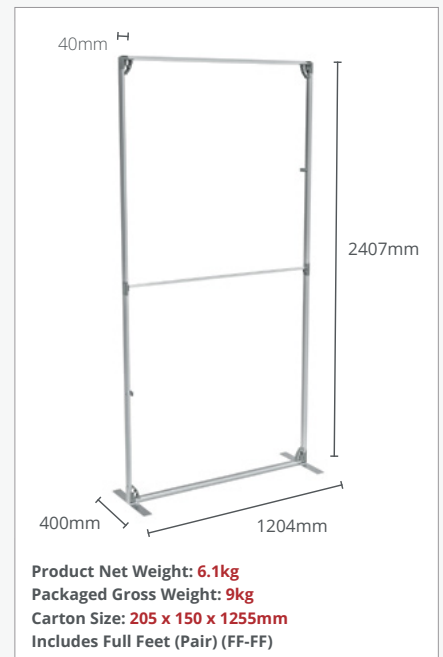
**FASTFRAME™ 1000x2400**

Product code: **FF-100X240**  
 Assembled dimensions: **1004mm x 2407mm x 400mm**  
 Graphics code: **G-FF-100X240-PS/BB**



**FASTFRAME™ 1200x2400**

Product code: **FF-120X240**  
 Assembled dimensions: **1204mm x 2407mm x 400mm**  
 Graphics code: **G-FF-120X240-PS/BB**



All frames are supplied with portable carry bags



**FASTFRAME™** utilises Silicon Edge Graphics.

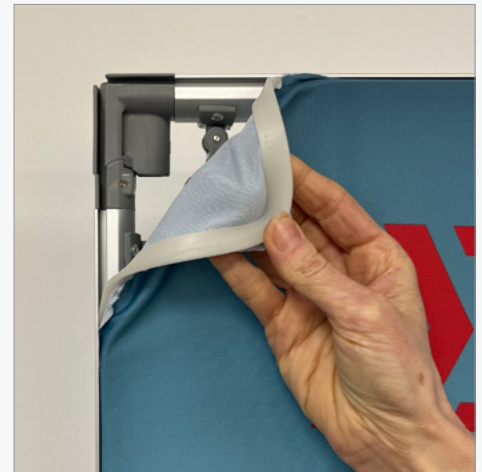
- » Fabric graphics are edged with a silicone strip which slots into the channel of the frame for easy installation
- » More cost-effective than alternative options and can be re-used multiple times
- » The graphics are printed using water based inks which is more eco-friendly
- » Seamless graphics can be applied to the connected frames for large displays
- » Graphics can be reproduced to deliver new messages

**Polyester Stretch Graphics (PS)**

Stretch textile fabric, 3mm silicone edge.

**Black Back Graphics (BB)**

Black back textile (black out), 3mm silicone edge.



	Graphic	Width	Height	Graphic code
500mm (H)	<b>FASTFRAME™ 1000 X 500MM PAIR GRAPHICS</b>	1000mm	500mm	G-FF-100X50-PS/BB
	<b>FASTFRAME™ 1000 X 1000MM PAIR GRAPHICS</b>	1000mm	1000mm	G-FF-100X100-PS/BB
1000mm (H)	<b>FASTFRAME™ 1000 X 2000MM GRAPHIC</b>	1000mm	2000mm	G-FF-100X200-PS/BB
	<b>FASTFRAME™ 2000 X 2000MM GRAPHIC</b>	2000mm	2000mm	G-FF-200X200-PS/BB
	<b>FASTFRAME™ 3000 X 2000MM GRAPHIC</b>	3000mm	2000mm	G-FF-300X200-PS/BB
2000mm (H)	<b>FASTFRAME™ 1000 X 2400MM GRAPHIC</b>	1000mm	2400mm	G-FF-100X240-PS/BB
	<b>FASTFRAME™ 1200 X 2400MM GRAPHIC</b>	1200mm	2400mm	G-FF-120X240-PS/BB
	<b>FASTFRAME™ 2000 X 2400MM GRAPHIC</b>	2000mm	2400mm	G-FF-200X240-PS/BB
	<b>FASTFRAME™ 2400 X 2400MM GRAPHIC</b>	2400mm	2400mm	G-FF-240X240-PS/BB
	<b>FASTFRAME™ 3000 X 2400MM GRAPHIC</b>	3000mm	2400mm	G-FF-300X240-PS/BB
2400mm (H)	<b>FASTFRAME™ 2000 X 2500MM GRAPHIC</b>	2000mm	2500mm	G-FF-200X250-PS/BB
	<b>FASTFRAME™ 3000 X 2500MM GRAPHIC</b>	3000mm	2500mm	G-FF-300X250-PS/BB
	<b>FASTFRAME™ 4000 X 2500MM GRAPHIC</b>	4000mm	2500mm	G-FF-400X250-PS/BB
	<b>FASTFRAME™ 5000 X 2500MM GRAPHIC</b>	5000mm	2500mm	G-FF-500X250-PS/BB
	<b>FASTFRAME™ 6000 X 2500MM GRAPHIC</b>	6000mm	2500mm	G-FF-600X250-PS/BB
2500mm (H)	<b>FASTFRAME™ COUNTER GRAPHIC</b>	1750mm	1040mm	G-FF-COUNTER-PS/BB
	<b>FASTFRAME™ PER SQUARE METER GRAPHIC</b>	Custom	Custom	G-FF-SQM-PS/BB



45° Connector Kit (FF-45C)



90° Connector Kit (FF-90C)



90° Middle Connector Kit (FF-90MC)



90° Left Inside Connector Kit (FF-90LIC)



90° Right Inside Connector Kit (FF-90RIC)



Arch Connector Kit (FF-ACC)



Arch Brace Kit (Coming Soon) (FF-ABK)



Cross Connector Kit (FF-CC)



T-Shape Connector Kit (FF-TC)



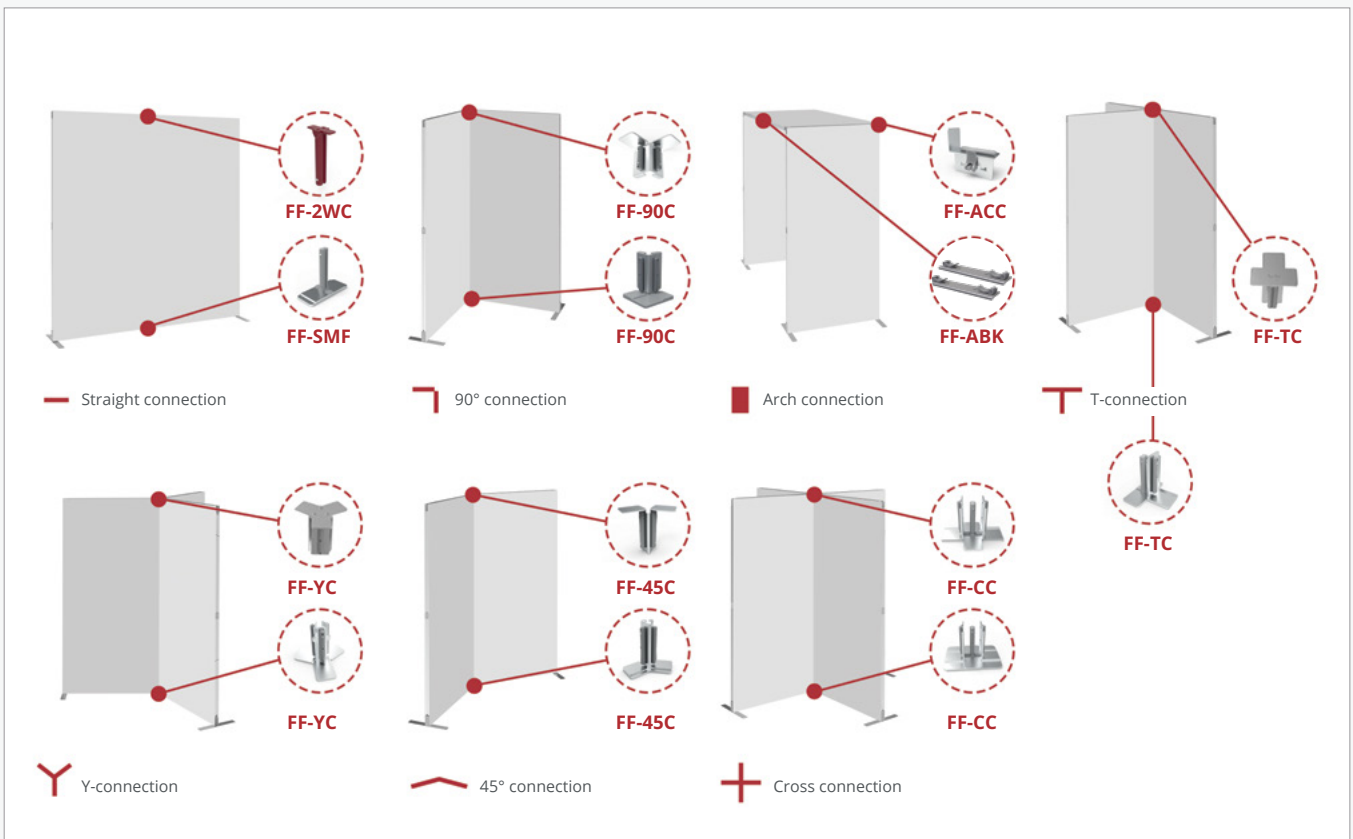
Y Shape Connector Kit (FF-YC)



2-Way Connector (FF-2WC)



4-Way Connector (FF-4WC)



# Specification Sheet – Feet and Lighting



Full Foot (FF-FF)



Middle Full Foot (FF-MFF)



Half Middle Foot (FF-HFM)



Small Middle Foot (FF-SMF)

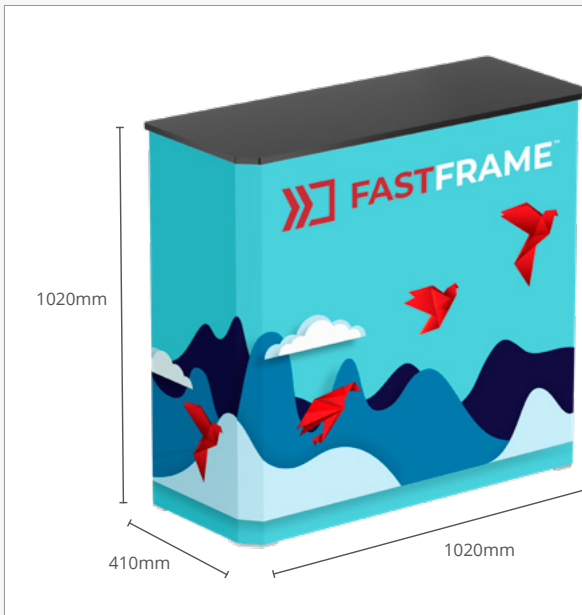


Side Half Feet (Pair) (FF-SHF)



LED Exhibition Light (pair)  
(LED-EXHIB-ARM-BDLK)

# Specification Sheet – Counter



COMING SOON

Front of the Counter



Back of the Counter



Counter Carry Bag



## FASTFRAME™ Counter

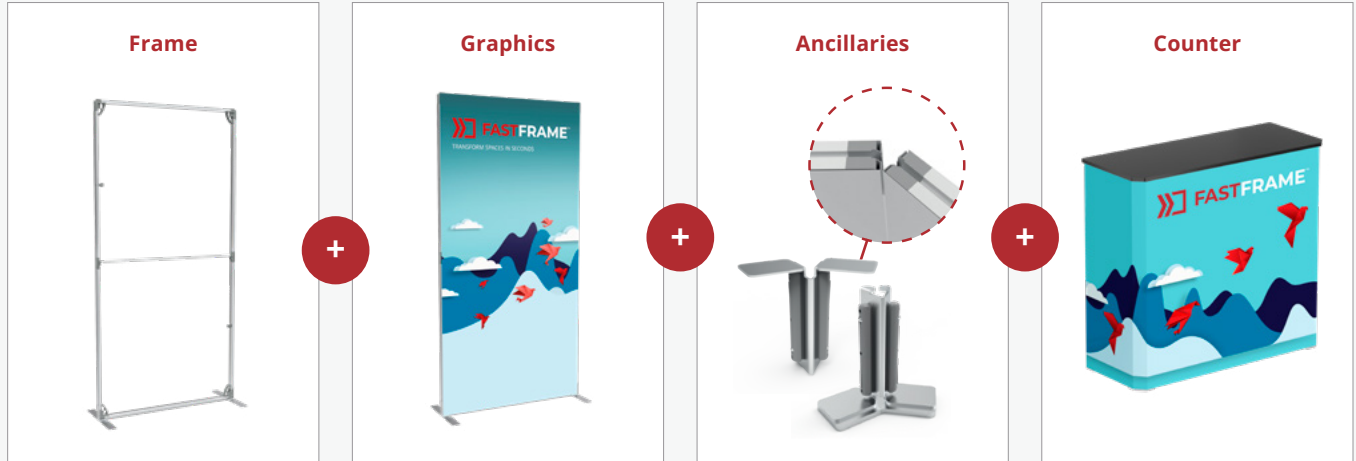
Product code: **FF-COUNTER-BLK**

Graphics code: **G-FF-COUNTER-PS/BB**

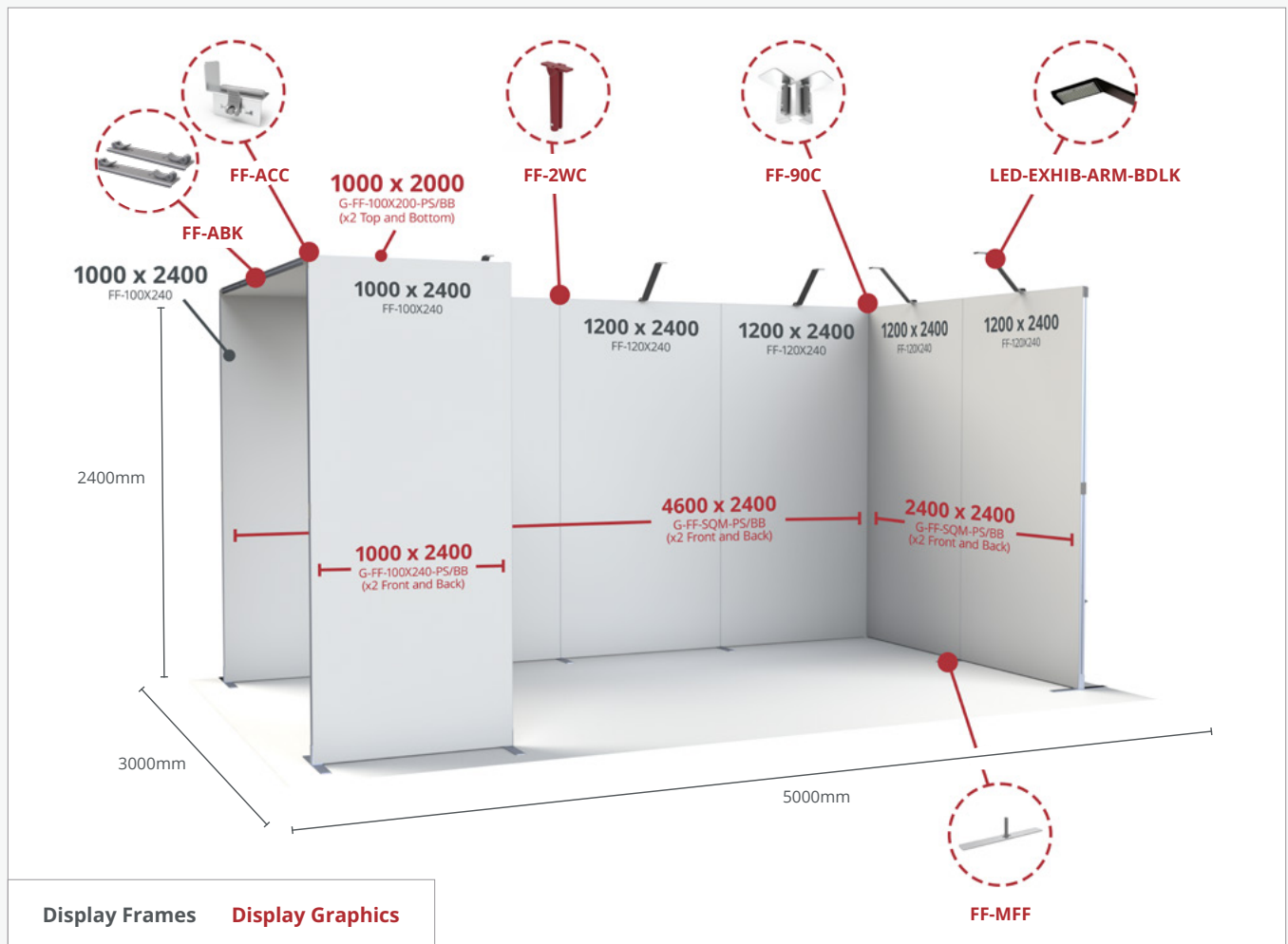
Weight	16.03kg
Assembled size	1020mm x 1020mm x 410mm
Wheeled bag	1160mm x 175mm x 460mm

Internal Bag	1090mm x 170mm x 460mm
Load bearing	60kg
Shelf bearing	10kg

Constructing your ideal display stand has never been easier with **FASTFRAME™**. Simply review the space you are looking to dress, and select your frames, graphics and ancillaries required to create an eye-catching display backwall or exhibition stand in minutes. Add a counter to your meet and greet area for that friendly front of house experience.



## Specification Sheet – 15m<sup>2</sup> Exhibition Stand





	Product	Width	Height	Depth	Product code	Quantity
Frames	<b>FASTFRAME™ 1000 X 2000MM</b>	1004mm	2007mm	400mm	FF-100X200	1
	<b>FASTFRAME™ 1000 X 2400MM</b>	1004mm	2407mm	400mm	FF-100X240	3
	<b>FASTFRAME™ 1200 X 2400MM</b>	1204mm	2407mm	400mm	FF-120X240	5
	<b>FASTFRAME™ COUNTER</b>	1020mm	1020mm	410mm	FF-COUNTER-BLK	1
Graphics	<b>FASTFRAME™ 1000 X 2000MM GRAPHIC</b>	1000mm	2000mm		G-FF-100X200-PS/BB	2
	<b>FASTFRAME™ 1000 X 2400MM GRAPHIC</b>	1000mm	2400mm		G-FF-100X240-PS/BB	4
	<b>FASTFRAME™ 2400 X 2400MM GRAPHIC</b>	2400mm	2400mm		G-FF-240X240-PS/BB	2
	<b>FASTFRAME™ 4600 X 2400MM GRAPHIC</b>	4600mm	2400mm		G-FF-SQM-PS/BB	2
	<b>FASTFRAME™ COUNTER GRAPHIC</b>	1750mm	1040mm		G-FF-COUNTER-PS/BB	1
Connectors, Lighting and Feet	<b>FASTFRAME™ 90 DEGREE CONNECTOR KIT</b>	81.5mm	60.7mm	81.5mm	FF-90C	2
	<b>FASTFRAME™ TWO-WAY CONNECTOR</b>	41mm	82mm	21mm	FF-2WC	4
	<b>FASTFRAME™ ARCH KIT</b>	90mm	105mm	60mm	FF-ACC	1
	<b>FASTFRAME™ ARCH BRACE KIT</b>	171mm	42mm	7mm	FF-ABK	1
	<b>FASTFRAME™ LED EXHIBITION LIGHTS (5)</b>	50mm	455mm	55mm	LED-EXHIB-ARM-BDLK	3
	<b>FASTFRAME™ MIDDLE FULL FOOT (4)</b>	50mm	89mm	400mm	FF-MFF	4

## Display Backwall 3M(W) x 2M(H)

**Dimensions: 3004mm x 2007mm x 400mm**

**Frames:**

x3 1000 x 2000mm (includes x6 Feet FF-FF) **FF-100X200**

**Graphics:**

x2 3000 x 2000mm Graphic (Front and Back) **G-FF-300X200-PS/BB**

**Ancillaries:**

x2 Middle Full Feet **FF-MFF**



## Exhibition Shell Scheme 3M(W) x 2M(H) x 2.5M(D)

**Dimensions: 3000mm x 2007mm x 2542mm**

**Frames:**

x7 1000 x 2000mm (includes x6 Feet FF-FF) **FF-100X200**

x2 1000 x 500mm (2 pack) **FF-100X50**

**Graphics:**

x2 3000 x 2000mm Graphic (Front and Back) **G-FF-300X200-PS/BB**

x4 2500 x 2000mm Graphic (Front and Back) **G-FF-200X250-PS/BB**

**Ancillaries:**

x6 2 Way Connectors **FF-2WC**

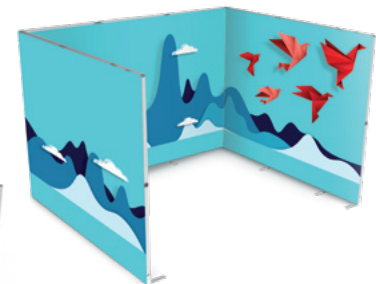
x1 Half Feet Kit **FF-SHF**

x1 90 Left Inside Corner Kit **FF-90LIC**

x1 90 Right Inside Corner Kit **FF-90RIC**

x6 Middle Half Foot **FF-HFM**

x2 Middle Full Feet **FF-MFF**



## Exhibition Stand 5M(W) x 2.4M(H) x 2M(D)

**Dimensions: 3000mm x 2007mm x 2542mm**

**Frames:**

x4 1200 x 2400 (Backwall) **FF-120X240**

x2 1000 x 2400 (Arch Wall) **FF-100X240**

x2 1000 x 2000 (Archway) **FF-100X200**

(includes 6 x feet FF-FF)

**Graphics:**

x2 4800 x 2400 Graphic (Front and Back) **G-FF-SQM-PS/BB**

x4 1000 x 2400 Graphic (Front and Back) **G-FF-100X240-PS/BB**

x4 1000 x 2000 Graphic (Front and Back) **G-FF-100X200-PS/BB**

**Ancillaries:**

x2 Arch Kit **FF-ACC**

x3 Middle Full Feet **FF-MFF**

x2 Arch Brace Kit **FF-ABK**

